

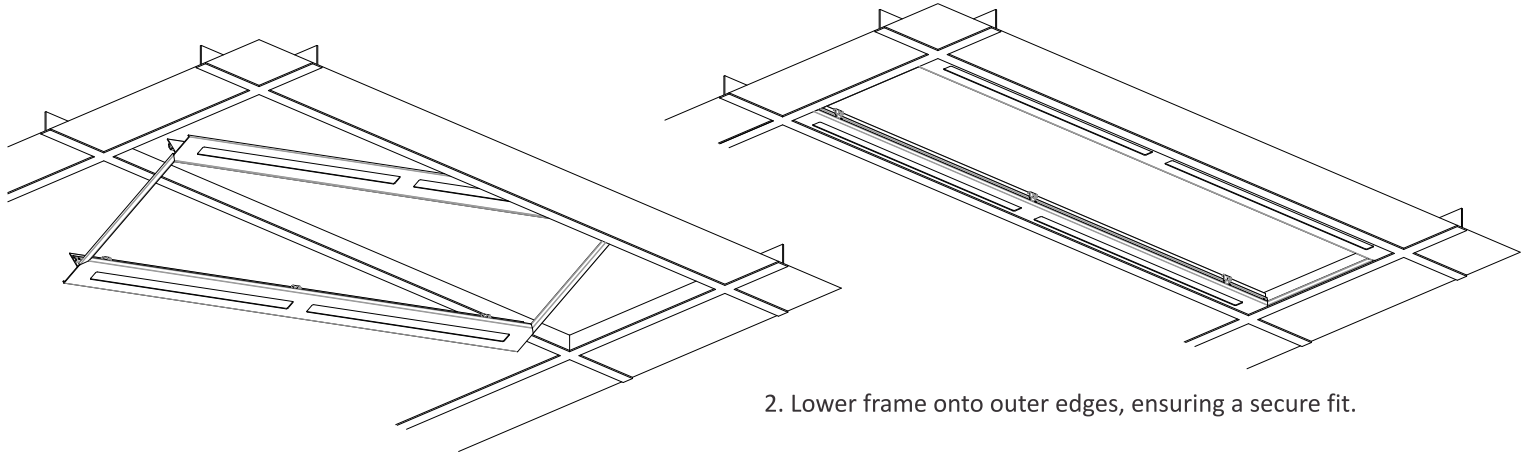
## INSTALLATION GUIDE VENTED (SINGLE) for T-BAR CEILINGS

CODE: LLF0412VS

To suit LED Ceiling Panels

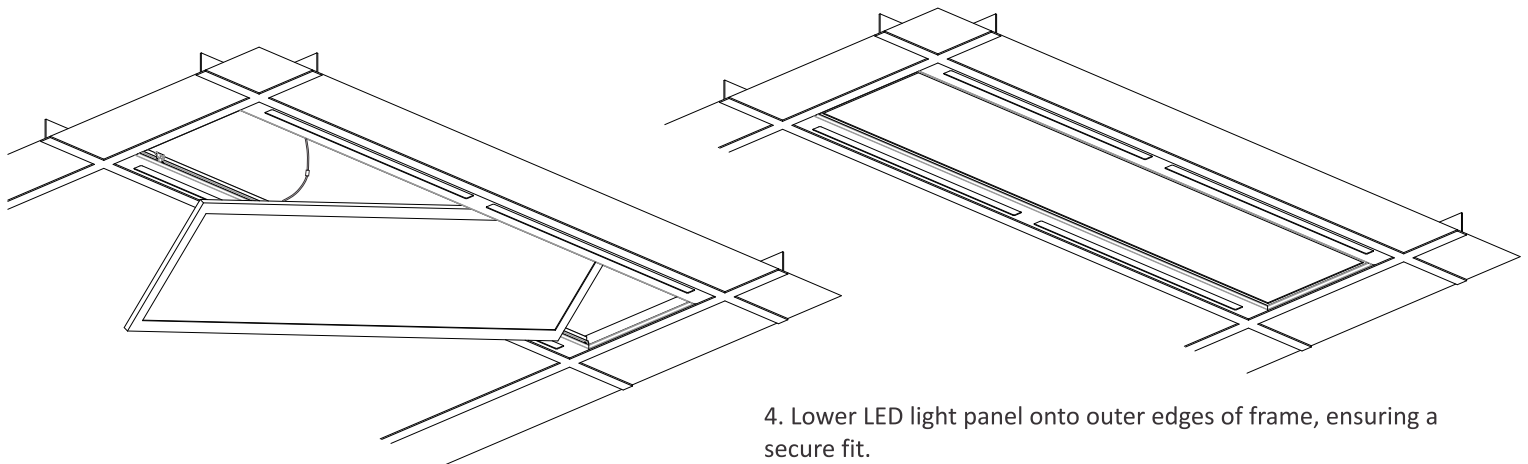
Panel size: 1195mm x 295mm

Frame size: 1196mm x 396mm



1. Angle frame into T-Bar ceiling.

2. Lower frame onto outer edges, ensuring a secure fit.



3. Angle LED light panel into frame and plug in power supply.

4. Lower LED light panel onto outer edges of frame, ensuring a secure fit.

NOTE: For applications where the frame is required to be secured by wire cables, slide in supplied hanger from centre slot of the frame and secure with grub screw. Hangers can then be used with wire cable to secure frame.

